



Video Products Technical Bulletin 30-2003-096

DATE: **March 24, 2003**

SUBJECT: **V JITTER AT H/V DELAY**

MODEL: **PVM-14L4**
PVM-14L3
PVM-20L4

SERIAL NO:

PVM-14L4 2,000,001-2,002,394
2,002,404
2,002,465-2,002,479
2,002,481-2,002,534
2,002,543
2,002,717-2,002,773
2,002,774-2,002,873

PVM-14L3 2,000,001-2,000,655
PVM-20L4 2,000,001-2,001,450

Italicized information in green applies to customers outside the United States.

DESCRIPTION

Noise may enter V.SYNC at H/V delay, which may destabilize the delay time of IC2504, causing V jitter. To correct the symptom, perform the following modification procedure.

PARTS REQUIRED

Part No.	Description	Qty.
1-102-074-00	Cap, 1,000 pF	1 or 2*

* 2 required only if D1 board is 1-682-404-11.

ORDERING INFORMATION

To order upgrades or for regional service center and parts ordering information, refer to the following document, which lists all contact telephone numbers:

Technical Bulletin 001999000

MODIFICATION PROCEDURE

D1 Board (Side B, Zone C-5)

1. Add a 1,000 pF capacitor between ground and the junction of R2545 and C2513 (1 μ F/10V) of the input to IC2504. (See Figure 1.)

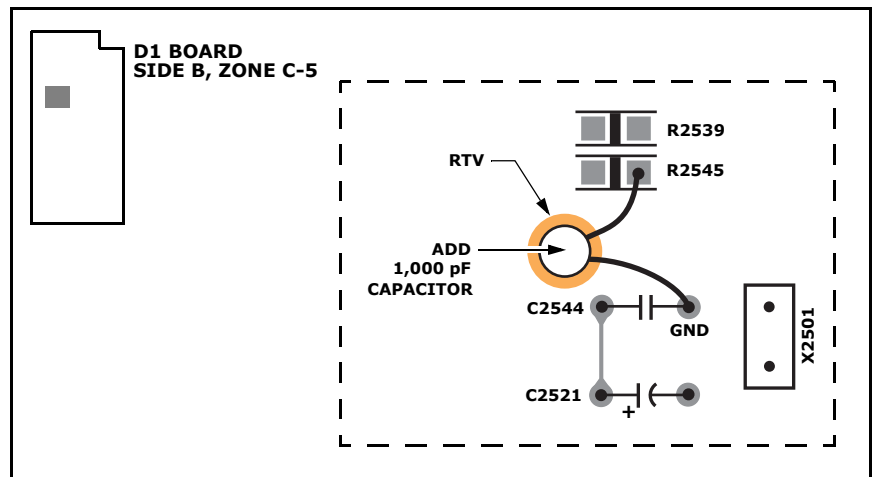


Figure 1

2. Affix the capacitor to the board with RTV.

DPMO02-041R

D Board (Side B, Zone D-1)

If the part number of the D1 board is 1-682-404-11, modify the D board as follows:

1. Add a 1,000 pF capacitor to CN1505 between pins 12 and 7.
(See Figure 2.)

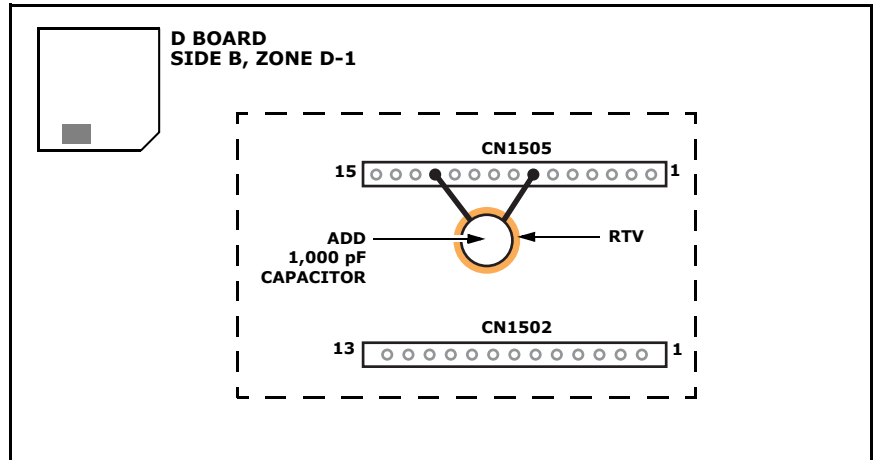


Figure 2

2. Affix the capacitor to the board with RTV.