



Display

## Broadcast Products Technical Bulletin 20-2004-108

DATE: June 7, 2004

SUBJECT: CAUTION WHEN INSTALLING OR REMOVING  
OPTION BOARDS

MODEL: **BKM-20D**  
**BKM-21D**  
**BKM-41HD**  
**BKM-42HD**  
*BVM-14F1E*  
*BVM-14F1E/A*  
**BVM-14F1U**  
*BVM-14F5E*  
*BVM-14F5E/A*  
**BVM-14F5U/1**  
*BVM-20F1E*  
**BVM-20F1U**  
*BVM-D20F1A*  
*BVM-D20F1E*  
**BVM-D20F1U**  
*BVM-D24E1WA*  
*BVM-D24E1WE*  
**BVM-D24E1WU**  
*BVM-D32E1WA*  
*BVM-D32E1WE*  
**BVM-D32E1WU**

SERIAL NO: ALL

*Italicized information in green applies to  
customers outside the United States.*

### DESCRIPTION

The radiation shield on the BKM option board (BKM-20D/21D/41HD/42HD) may become damaged or may come off while:

- An input adaptor or a blank panel is forcibly installed in the slot to the right of the BKM board, or
- The BKM board is forcibly removed and an input adaptor or blank panel is already installed in the slot to the right of the BKM board

(See Figure 1.)

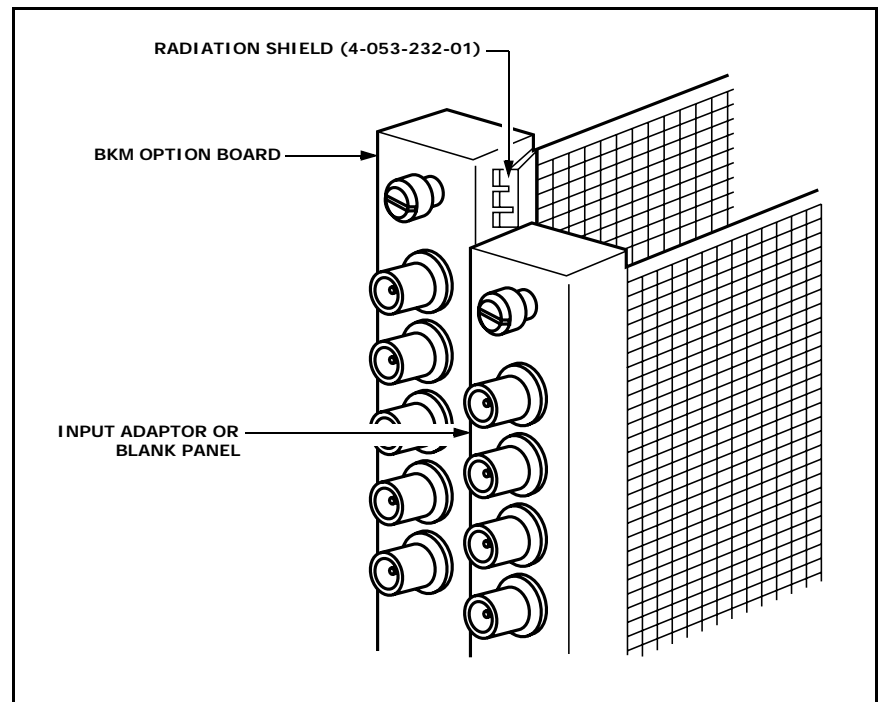


Figure 1

### Radiation Shield

The radiation shield has a claw that may inadvertently catch against boards installed or removed to the right of the shield. As a result, the shield may become damaged or may come off. Handle the shield with care.

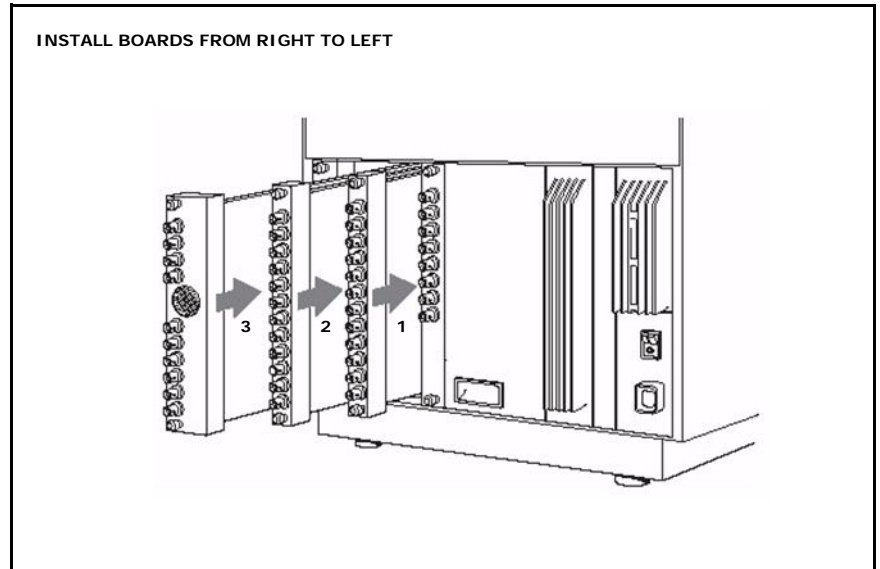
The radiation shield is used to comply with EMC regulations. If the shield is damaged, the unit may no longer comply with EMC regulations; therefore, replace the shield if necessary.

DPMO03-063

## NOTES ON INSTALLING AND REMOVING BOARDS

### Installing Boards

To prevent the radiation shield from being damaged when you install an input adaptor or blank panel to a BVM series monitor, install boards from right to left as shown in Figure 2.

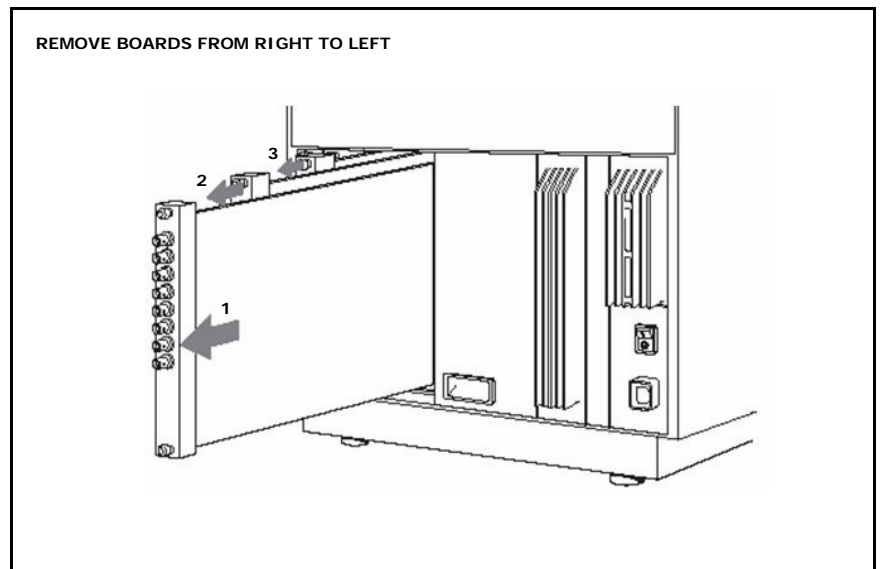


*Figure 2*

### Removing Boards

To prevent the radiation shield from being damaged when you remove the BKM option board from a BVM series monitor:

1. Loosen all screws of the input adaptor so that sufficient mechanical clearance between the BKM board and input adaptor is maintained.
2. Remove the option boards from right to left as shown in Figure 3.



*Figure 3*