



Broadcast Products Technical Bulletin 20-2004-140

DATE: July 26, 2004

SUBJECT: RASTER EXPANDS/CONTRACTS IN
HORIZONTAL DIRECTION

MODEL: ***BVM-D9H1A***
BVM-D9H1E
BVM-D9H1U
BVM-D9H5A
BVM-D9H5E
BVM-D9H5U

SERIAL NO:

BVM-D9H1A *2,000,001–2,000,006*
BVM-D9H1E *2,000,001–2,000,020*
 BVM-D9H1U 2,000,001–2,000,255
BVM-D9H5A *2,000,001–2,000,010*
BVM-D9H5E *2,000,001–2,000,120*
 BVM-D9H5U 2,000,001–2,000,540

Italicized information in green applies to customers outside the United States.

DESCRIPTION

Raster may expand and/or contract in a horizontal direction. This symptom occurs due to accidental contact between a thru-hole on the P board and the bottom chassis.

PART REQUIRED

Electrical tape (UL, 10 mm × 30 mm)

MODIFICATION PROCEDURE

1. Remove the top cover and disassemble the monitor to allow the P board to be removed.

NOTE: The P board is mounted beneath the CRT.
2. Affix electrical (UL) tape to the bottom chassis as shown in Figure 1.

NOTE: Fold the over-lapping edge of the tape around to the rear side of the bottom chassis.
3. Reinstall the P board and the top cover.

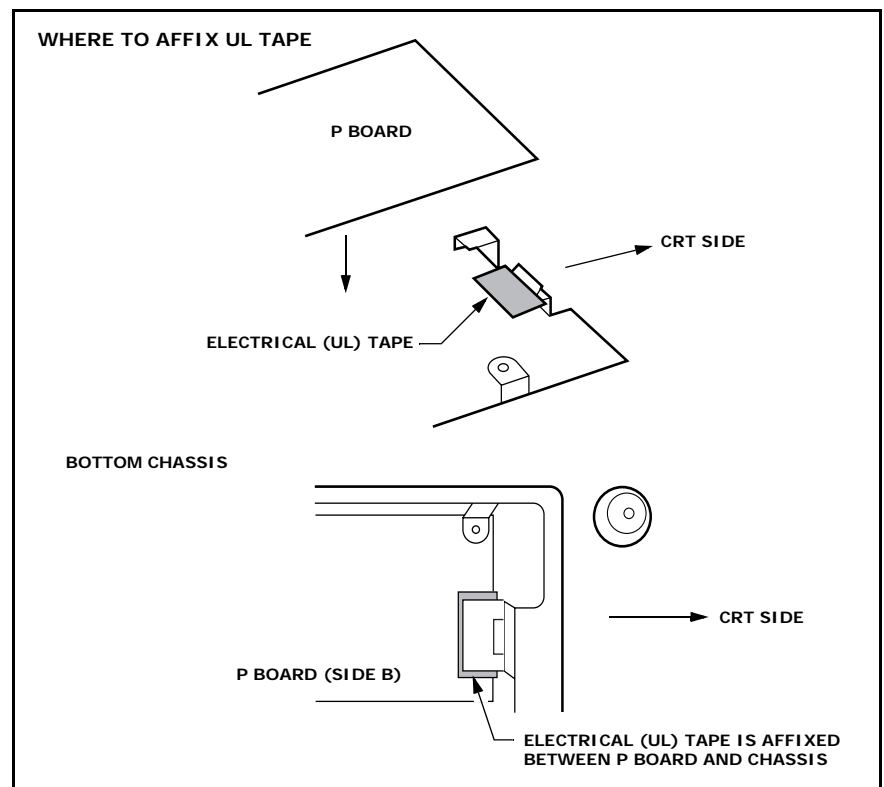


Figure 1

DPM004-014