



Controller Attachment Stand

Video Products Technical Bulletin 30-2013-141

DATE: **October 28, 2013**SUBJECT: **MANUAL CORRECTION—REFERENCE NUMBERS
IN EXPLODED VIEW**MODEL: **BKM-37H
BKM-38H
BKM-39H**SERIAL NO: **ALL****DESCRIPTION**

Correct the following manual as shown in Figure 1.

*BKM-39H, BKM-38H, BKM-37H Service Manual,
1st Edition (Revised 1)**DPMO13-015*



EXPLODED VIEW

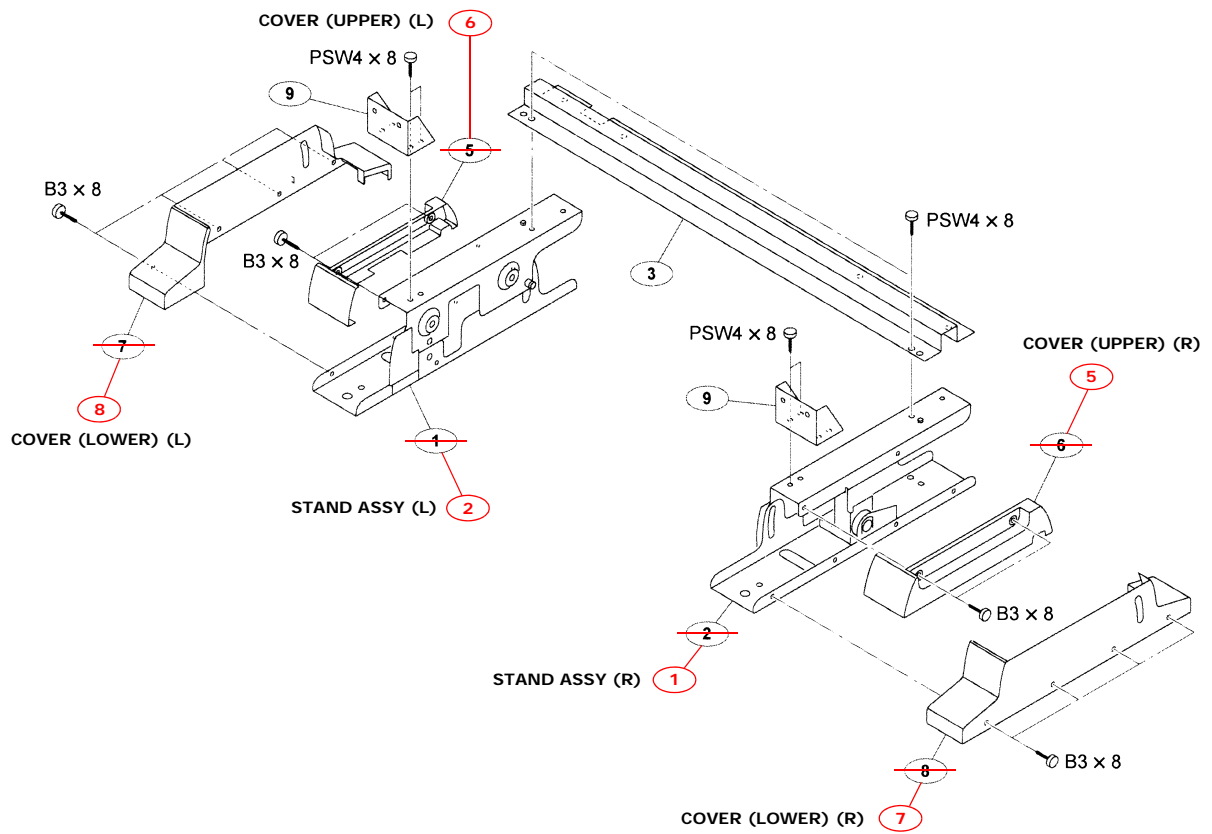


Figure 1