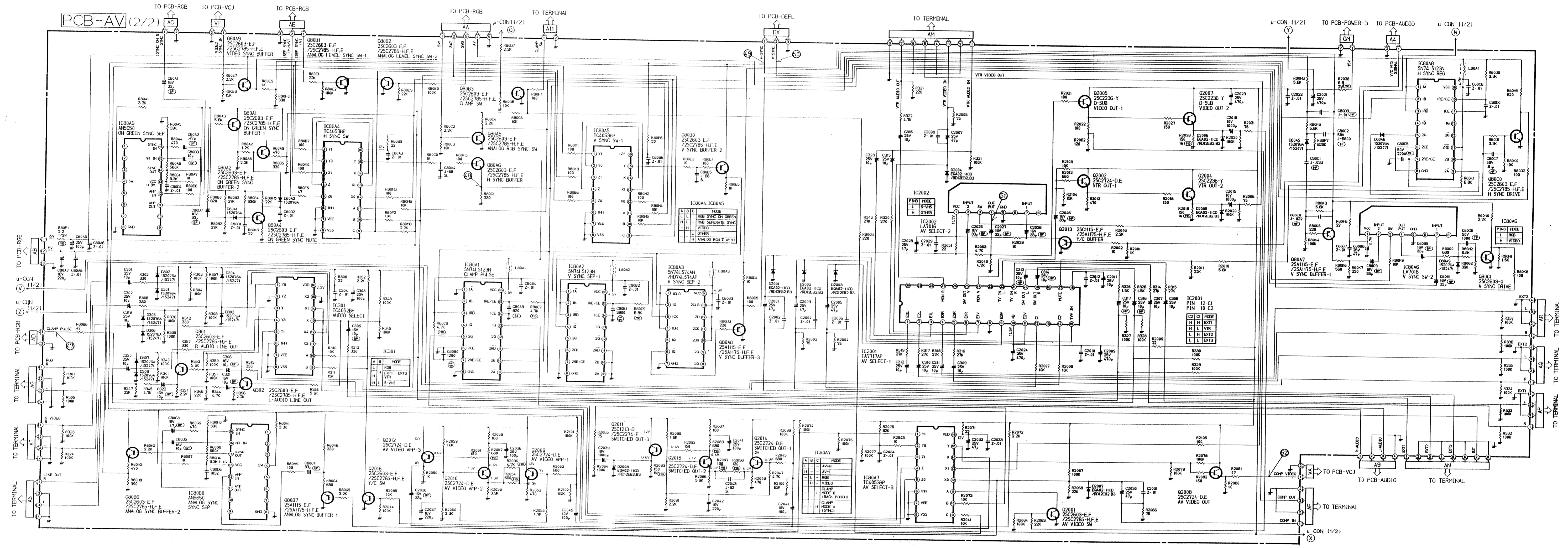
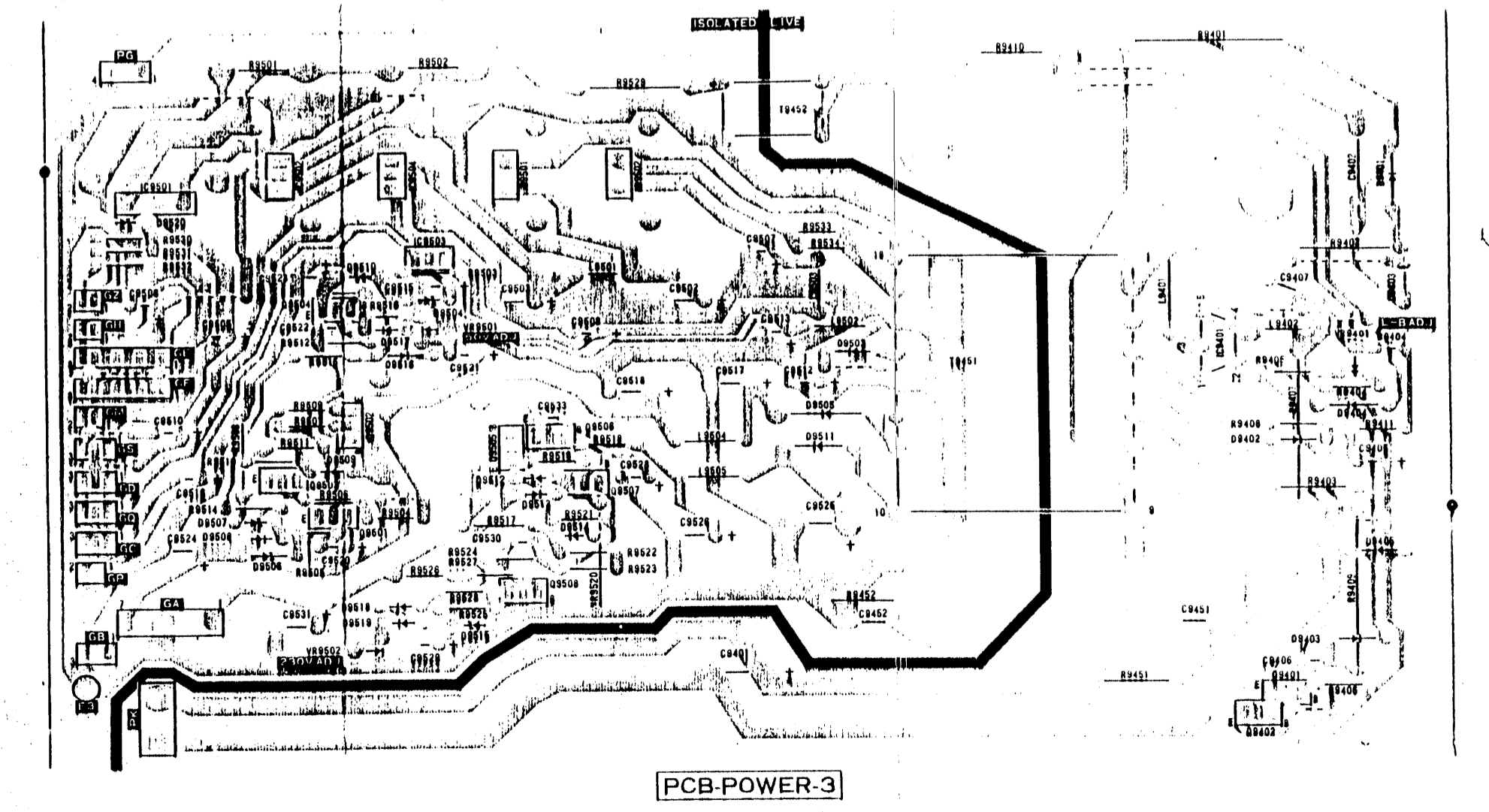
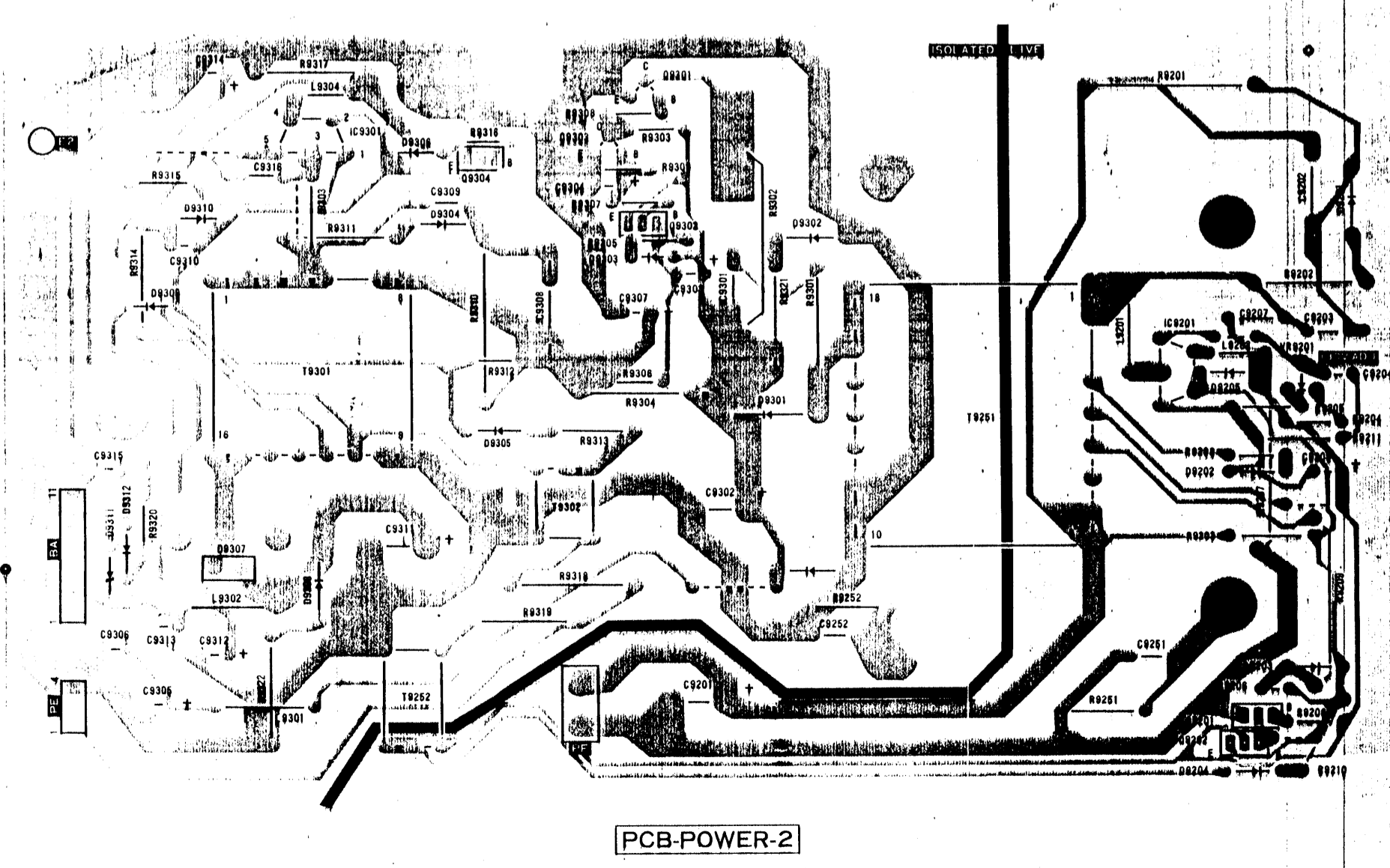
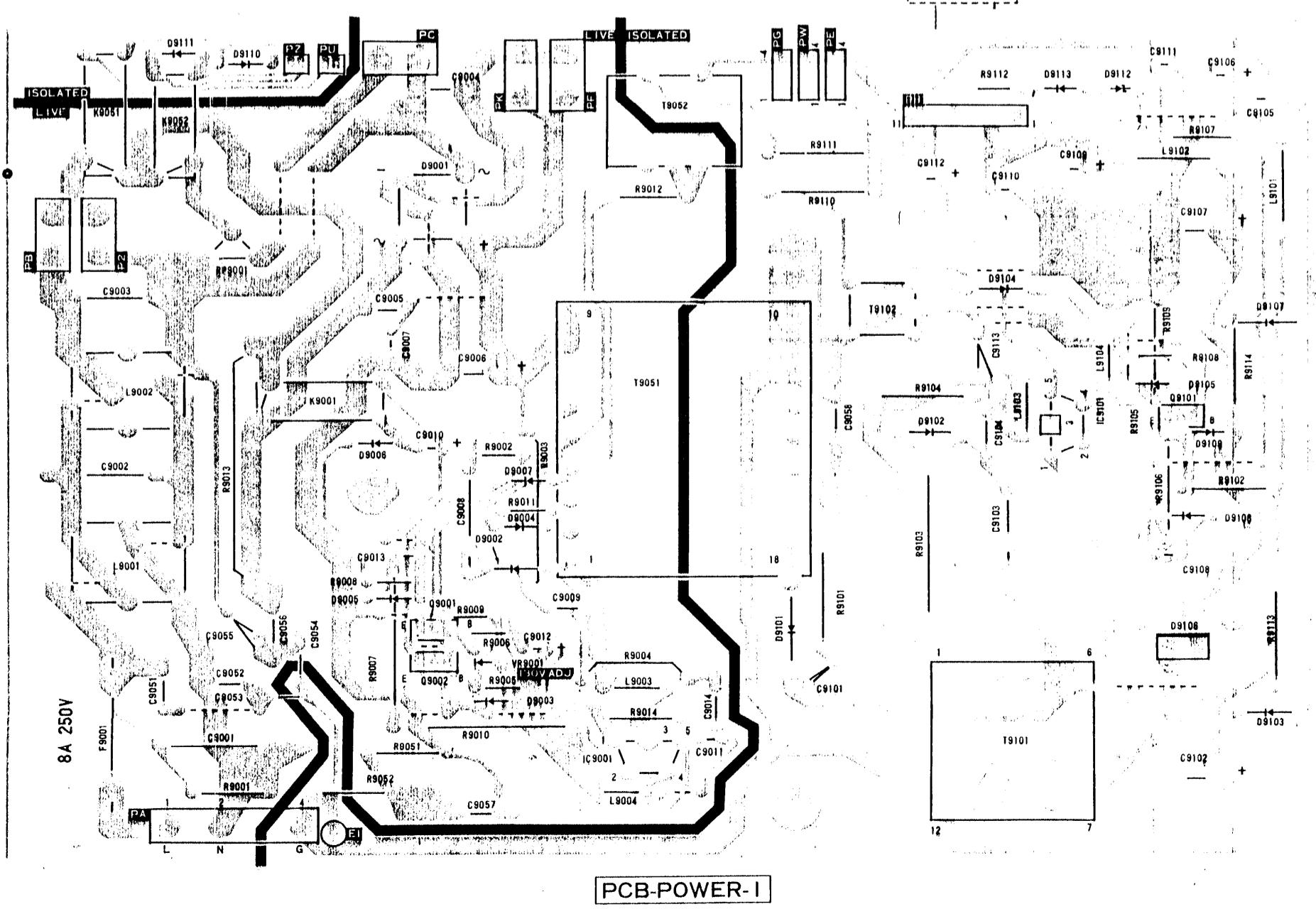
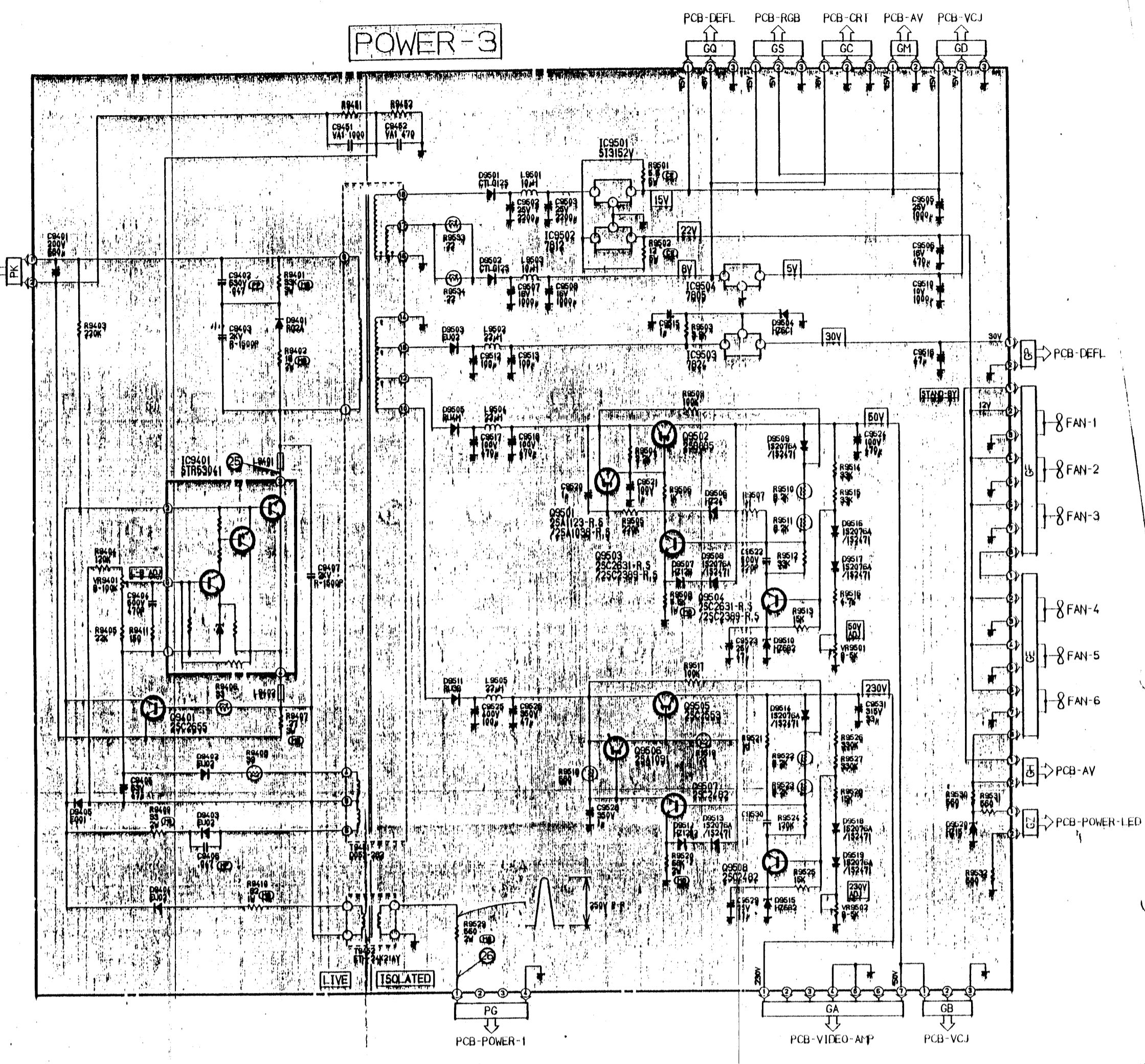
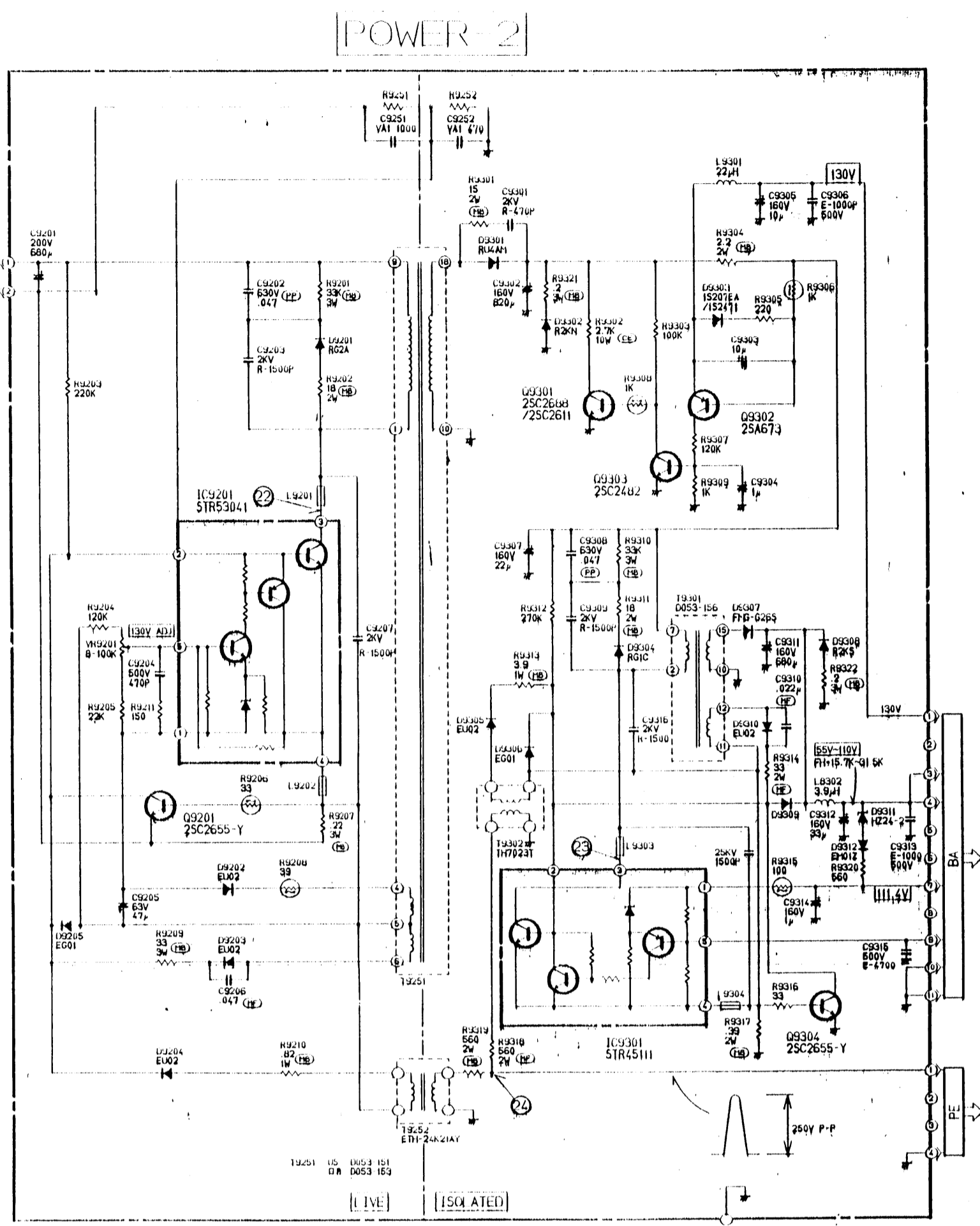
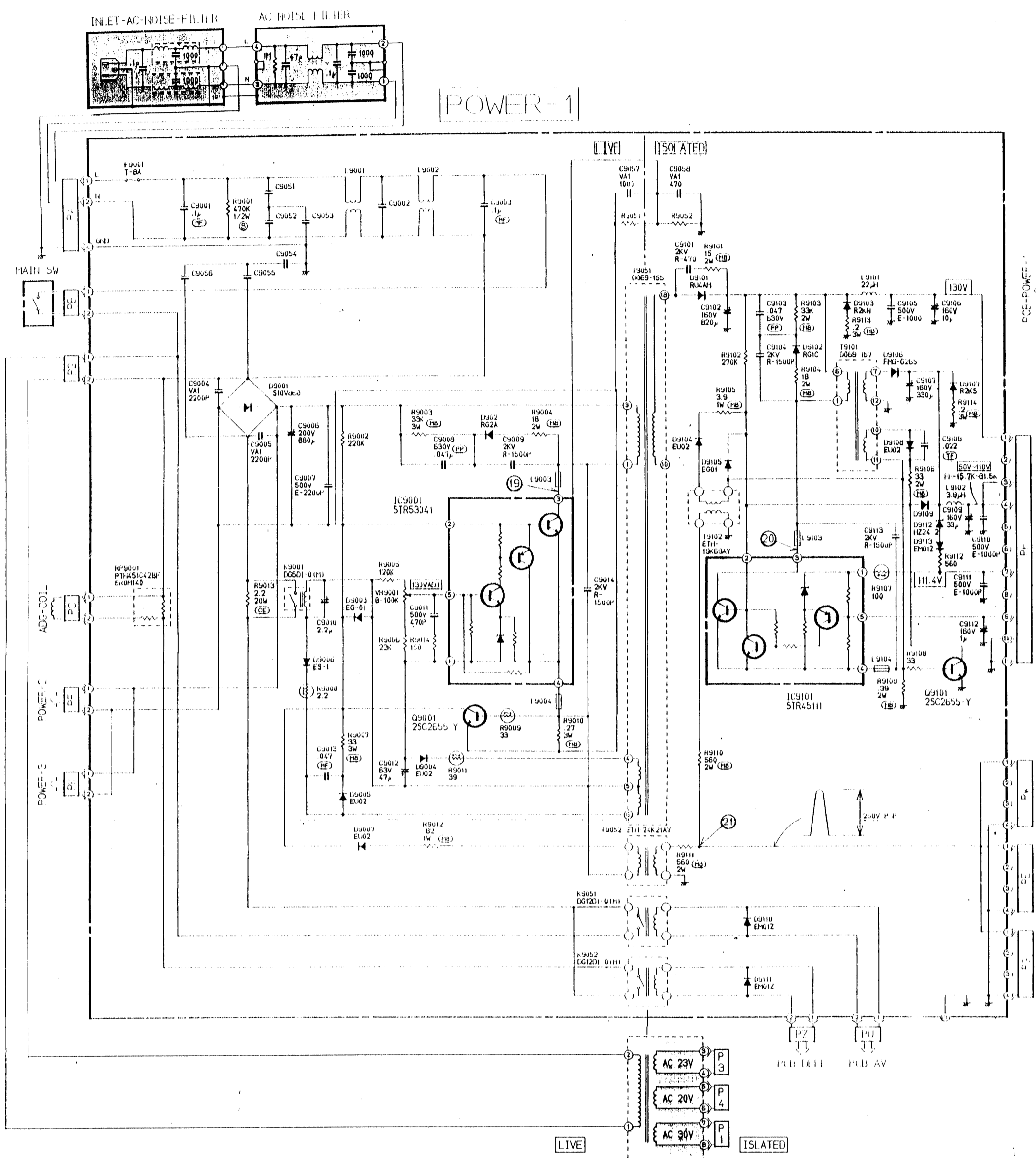
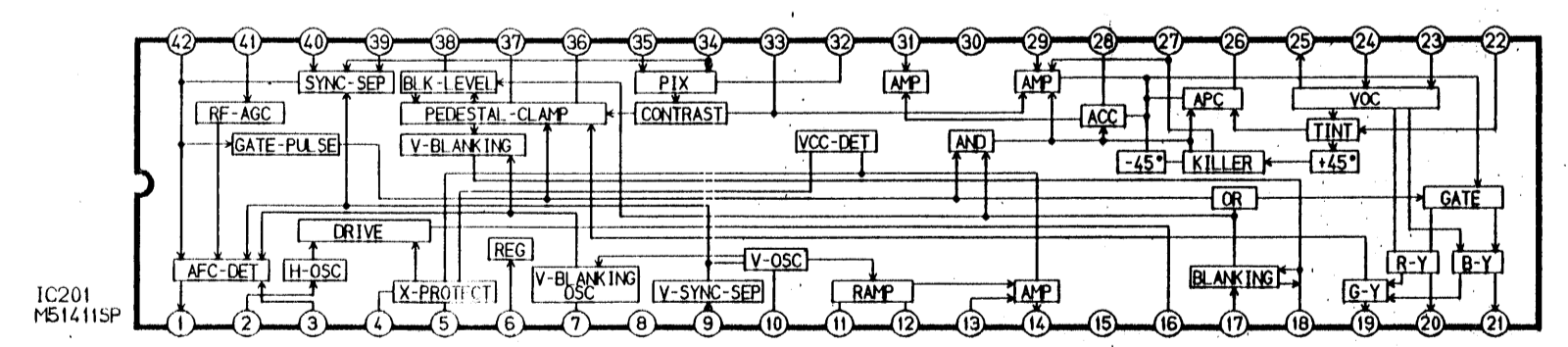
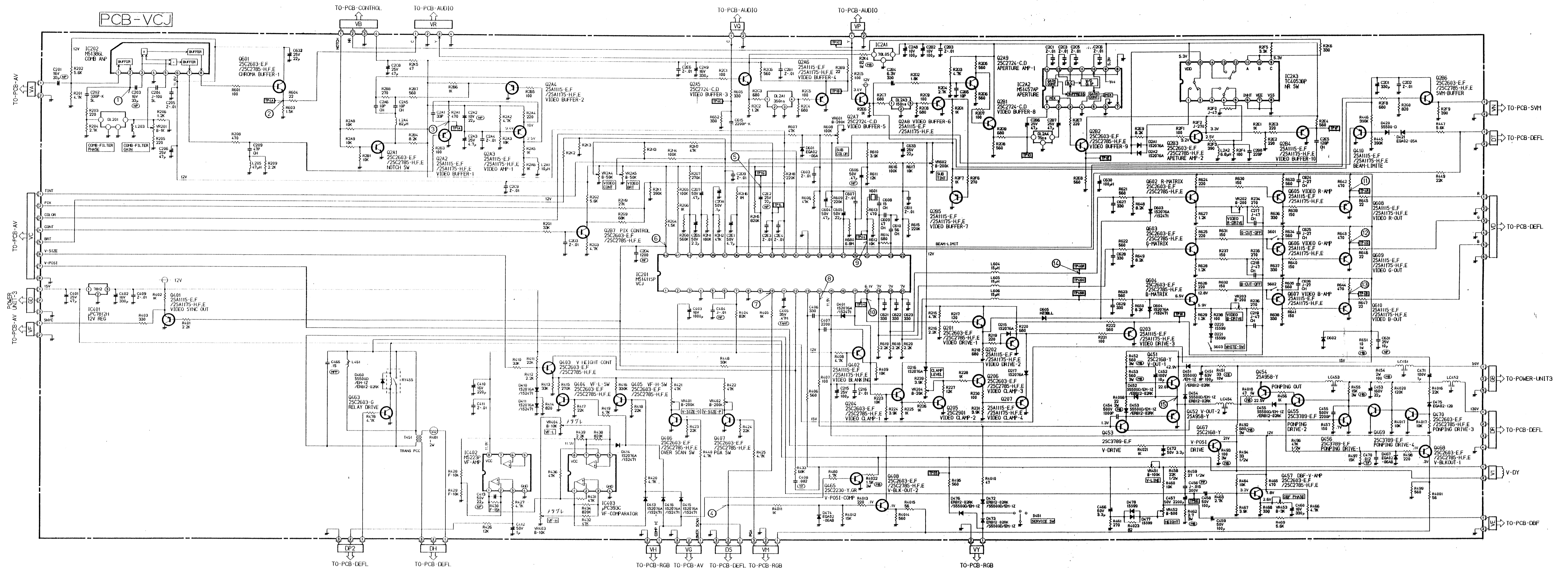


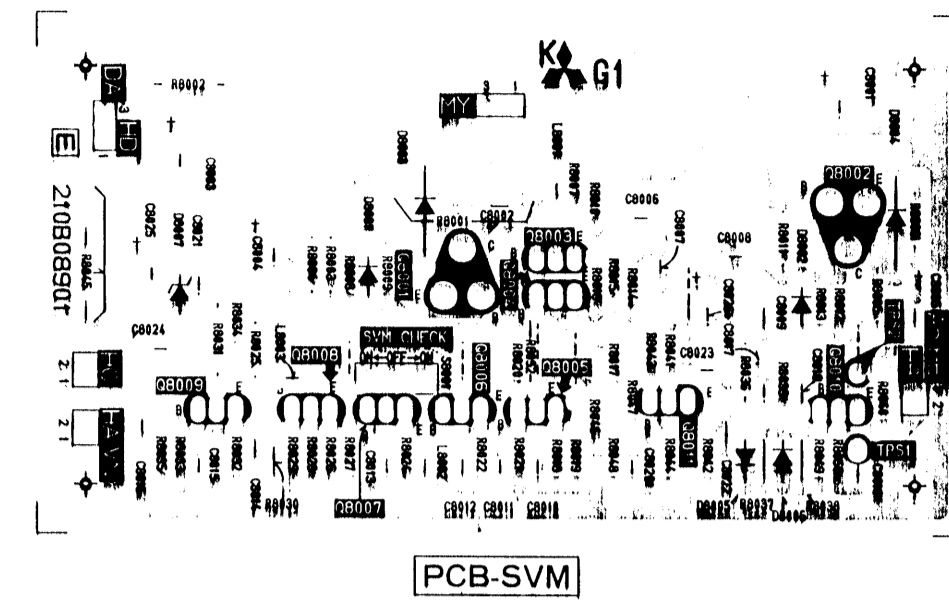
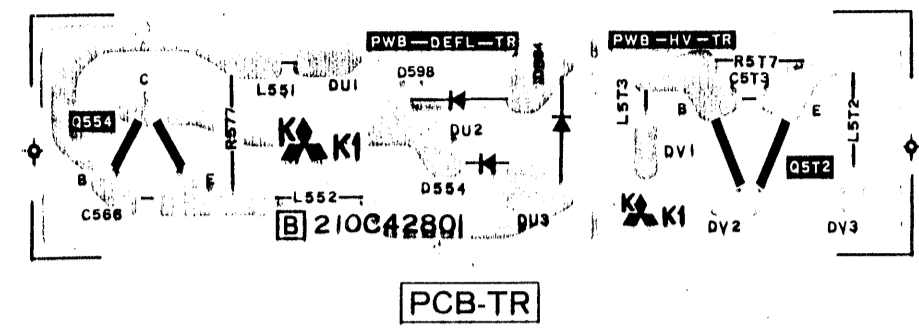
RGB-PCB

PIN NO	HIGH	LOW
3		
6	ANALOG SYNC ON GREEN	ANALOG SEPARATE SYNC.
8	ANALOG RGB	OTHER
11	VIDEO	RGB

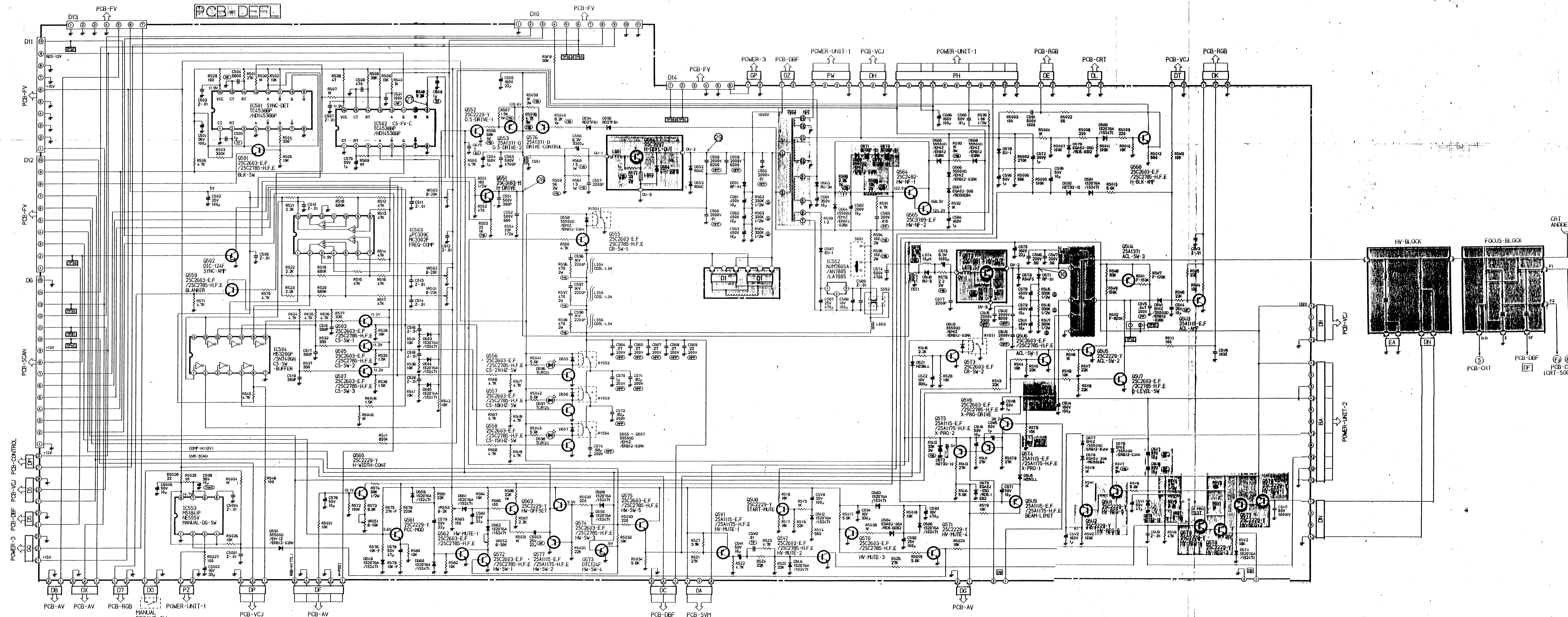
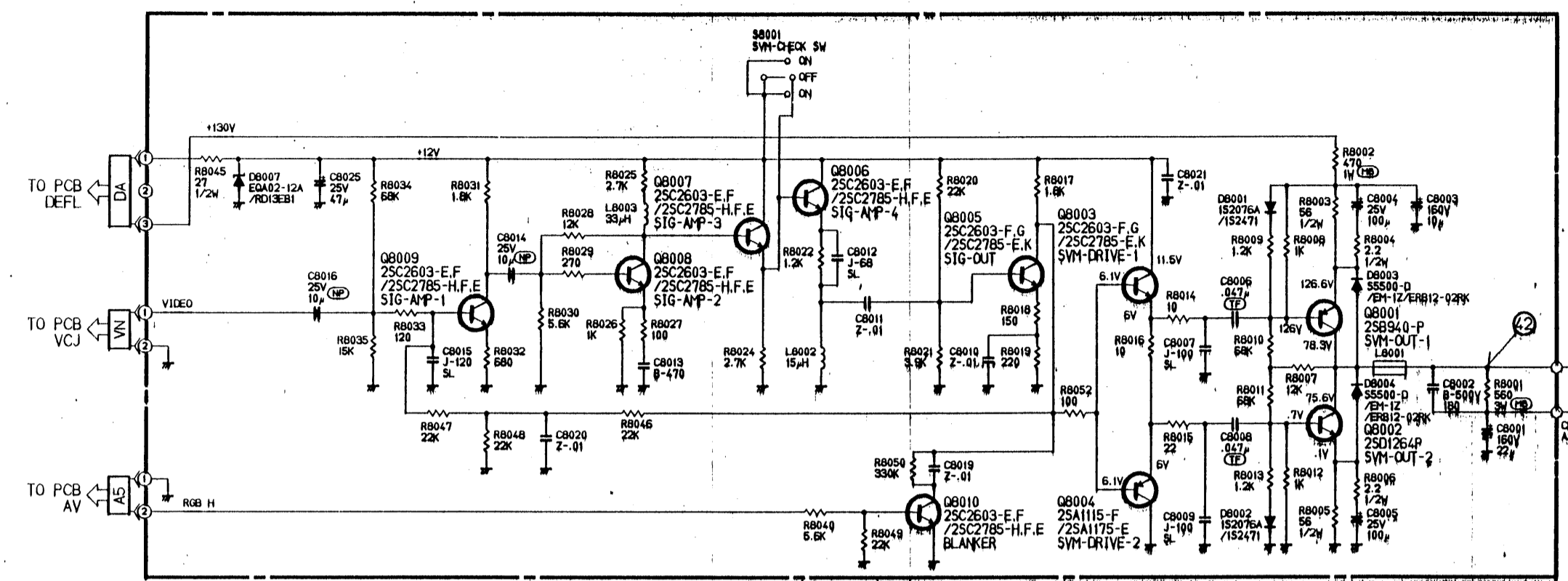




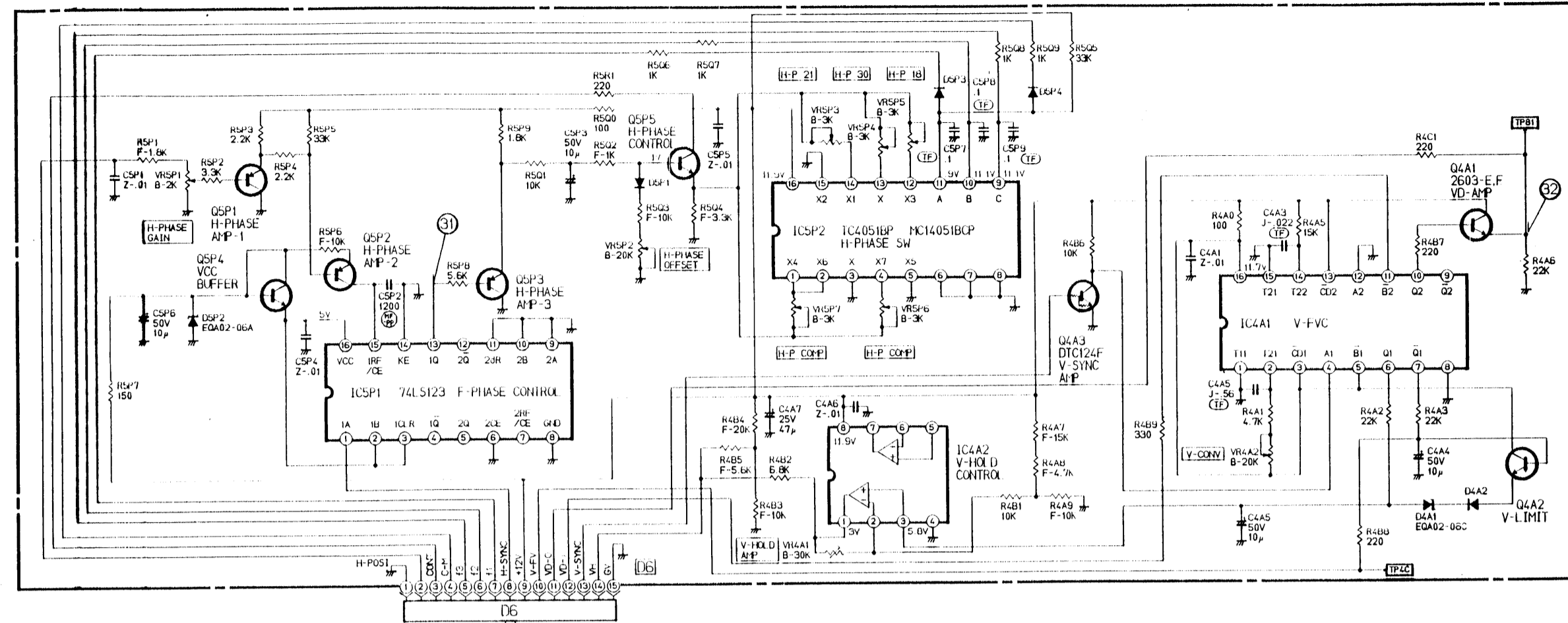




SVM-PCB

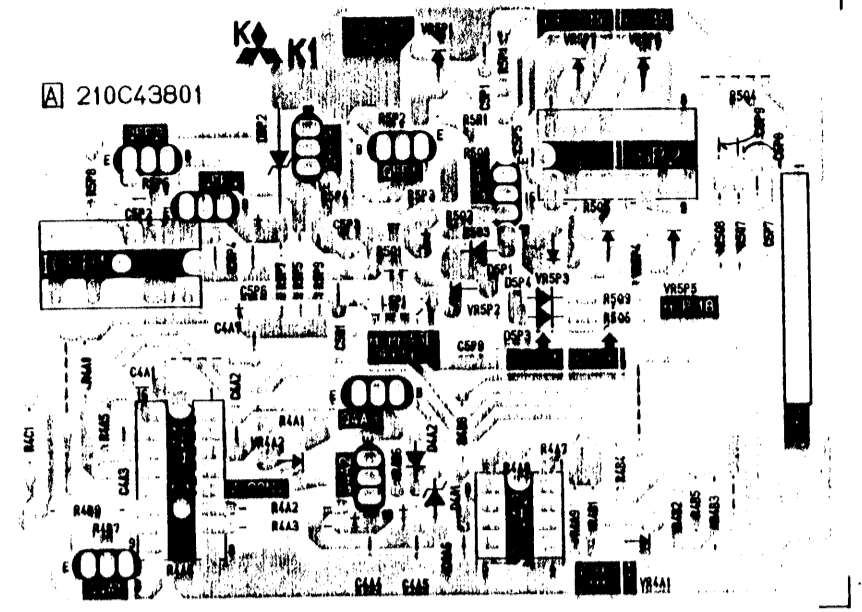


PCB-SCAN



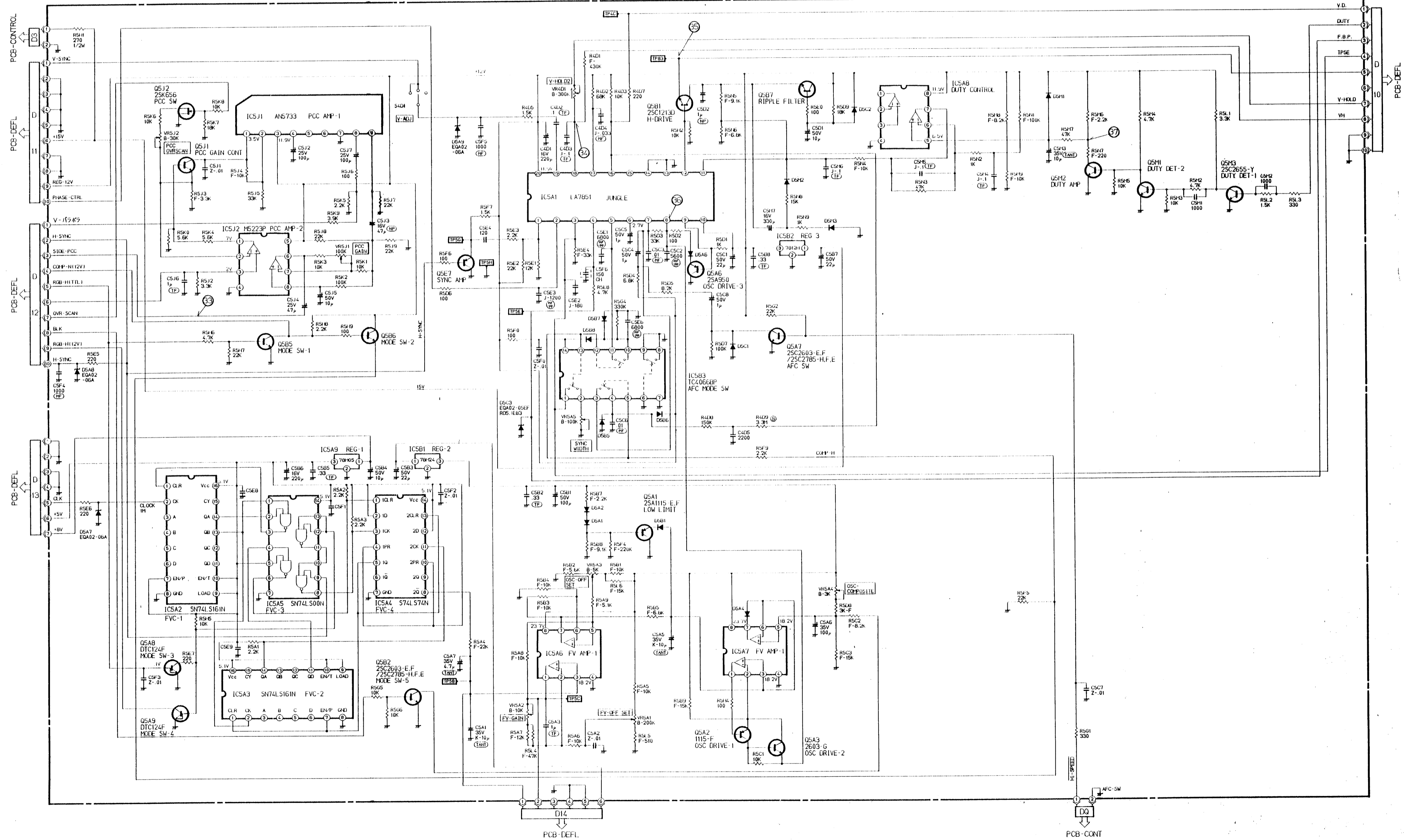
15K	C	B	A
15K	H	H	H
20K	L	L	L
30K	L	L	L
COMP	H	H	L

210C43801

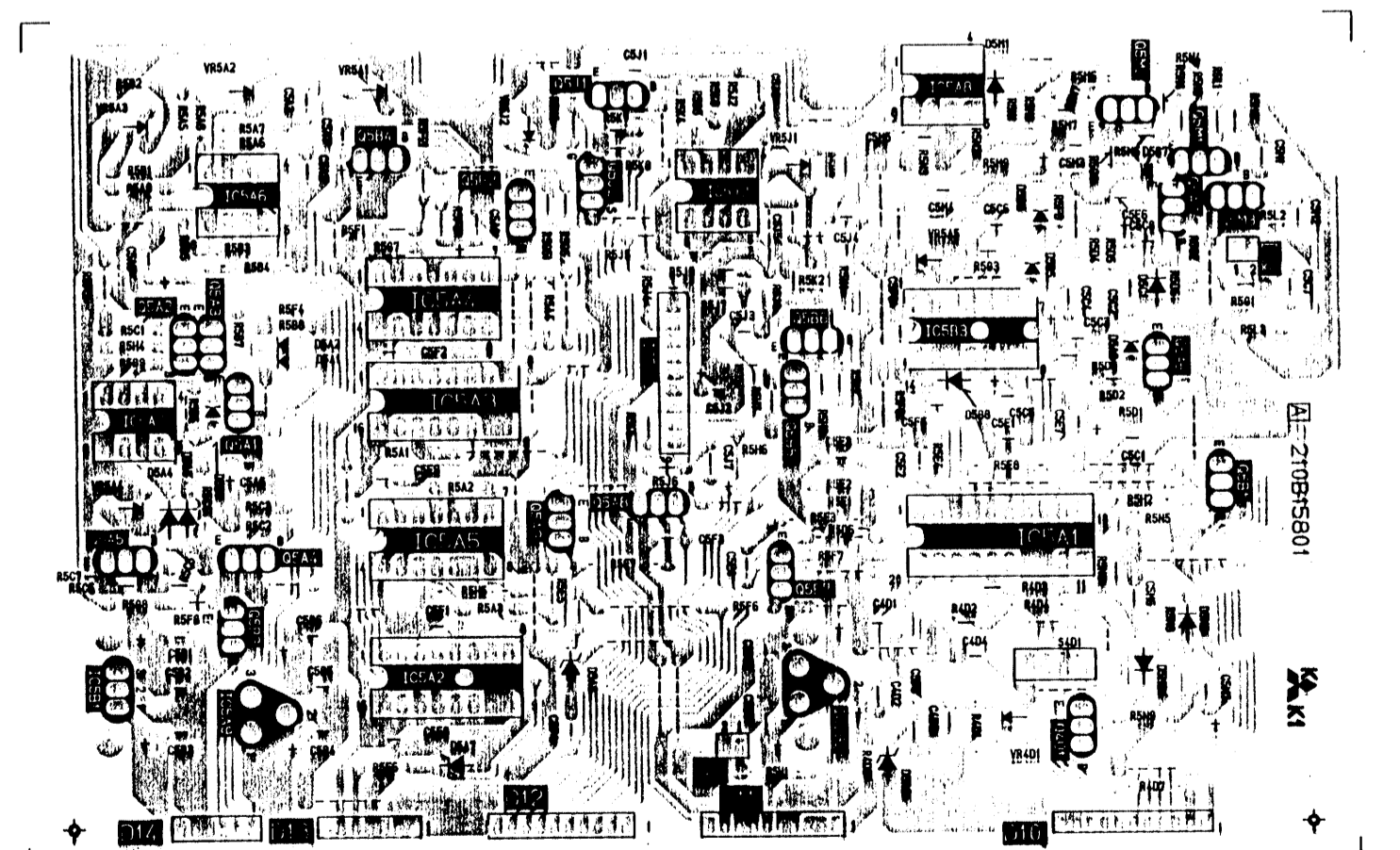
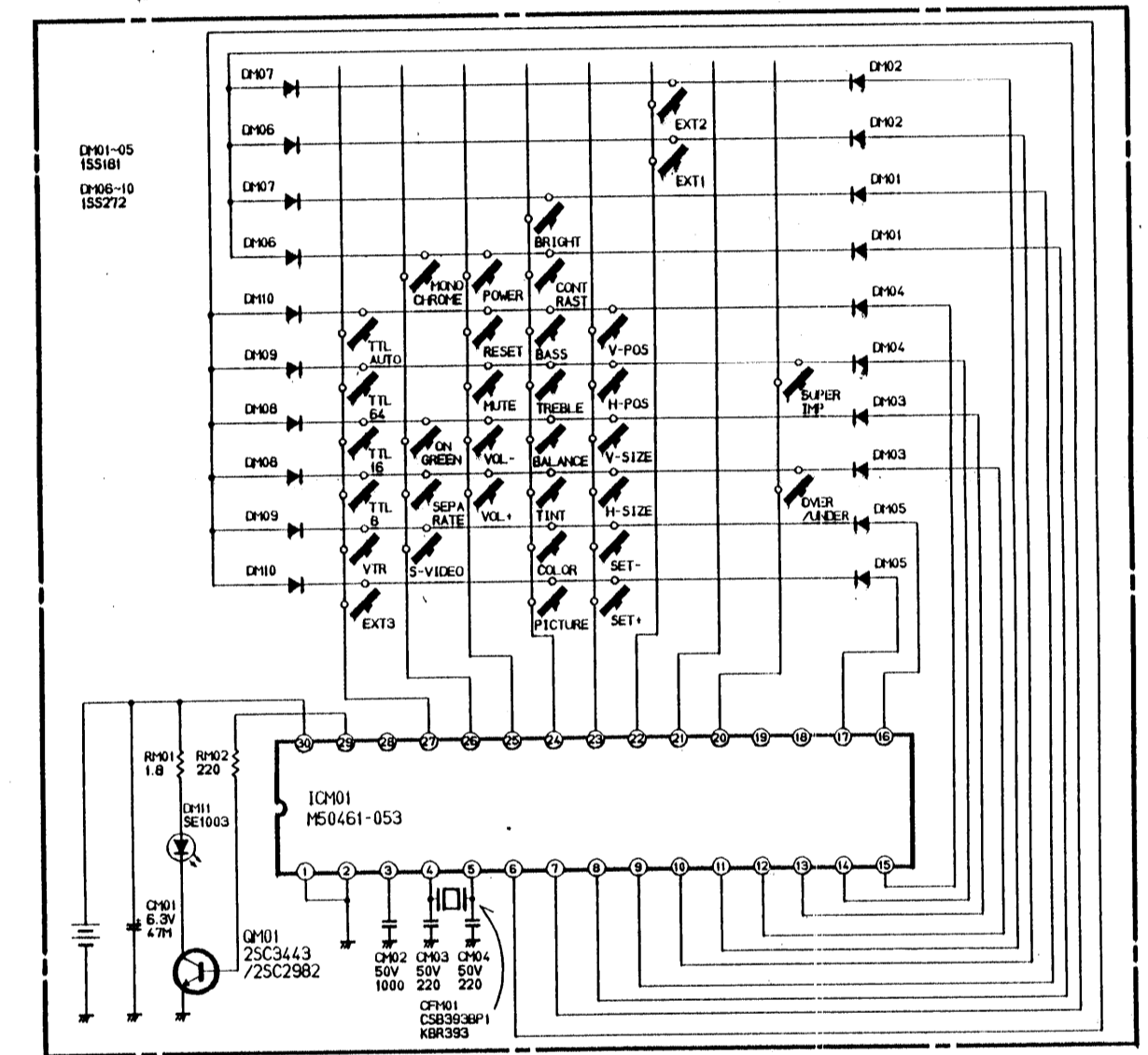


PCB-SCAN

PCB-FV



REMCON TRANSMITTER



PCB-FV